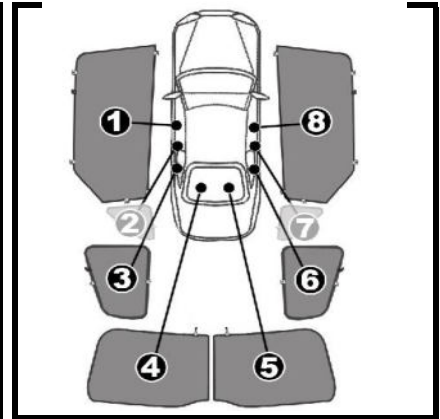


INSTALLATION INSTRUCTIONS

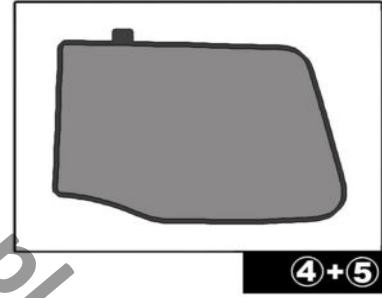
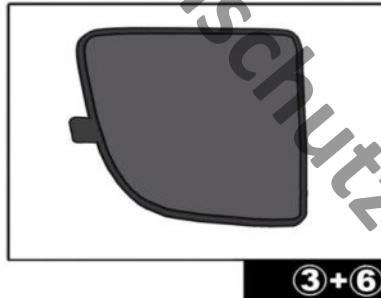
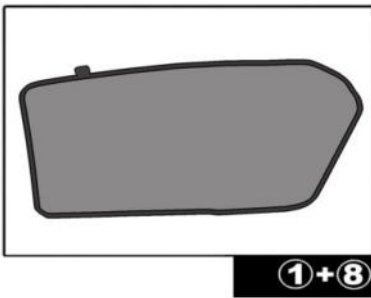
PEUGEOT 3008 5 DOOR

PEU-3008-5-A



COMPONENTS INCLUDED

SHADES



FIXING CLIPS

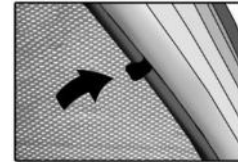
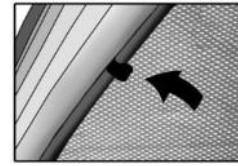
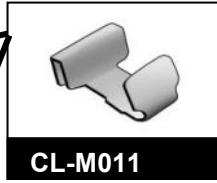
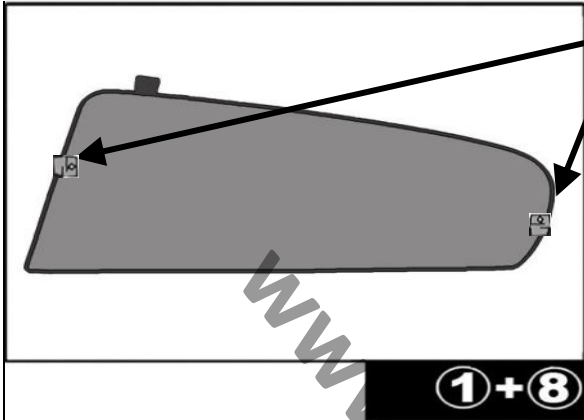


CL-M02 x8

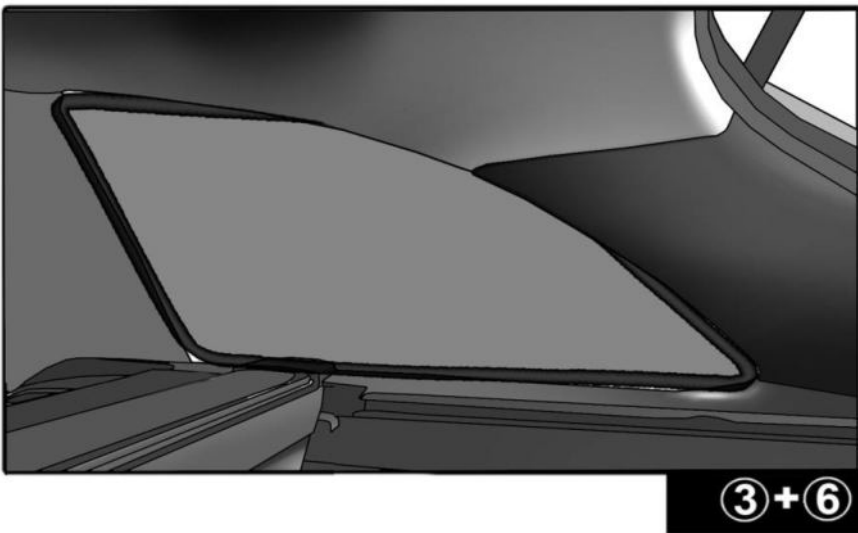
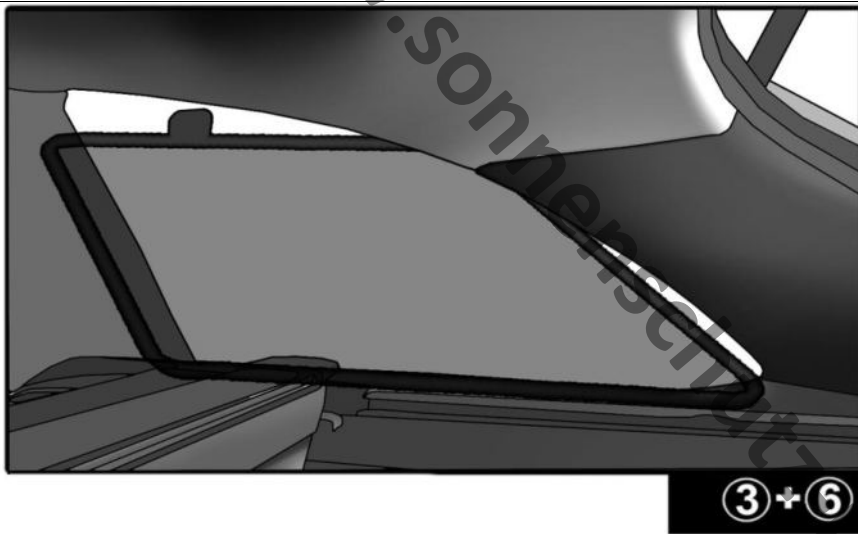
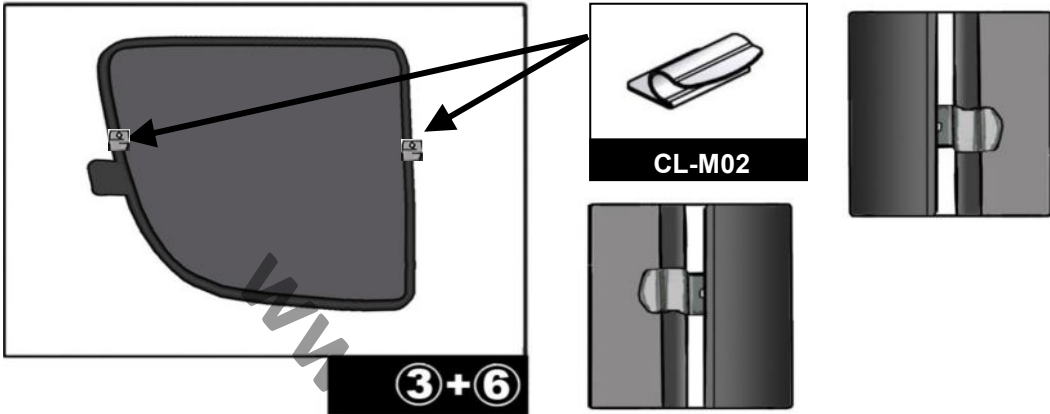


CL-M011 x4

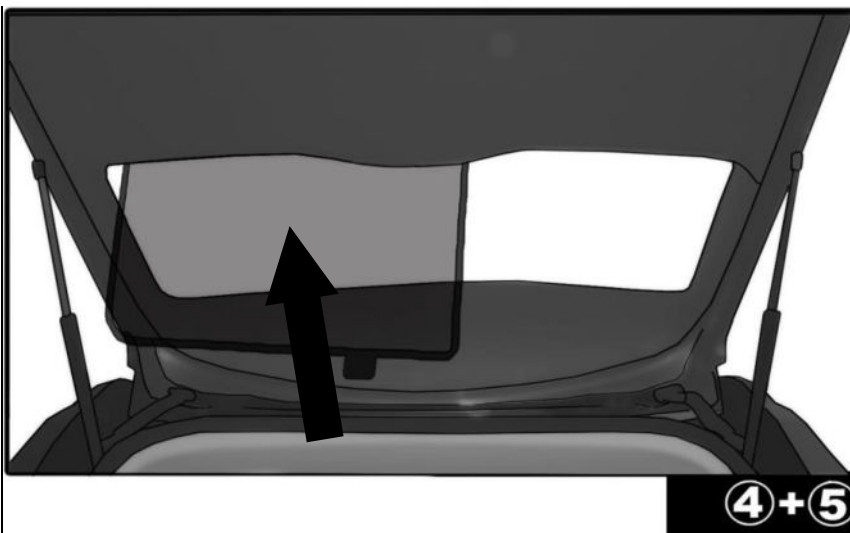
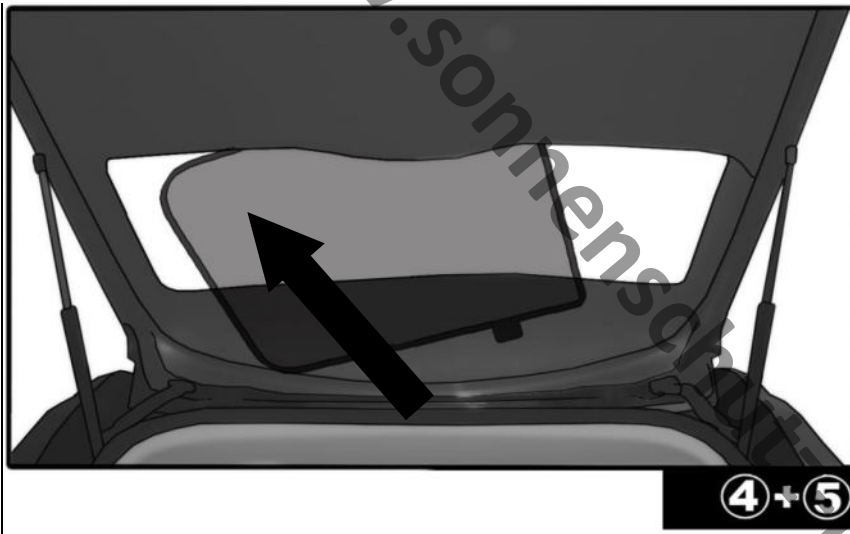
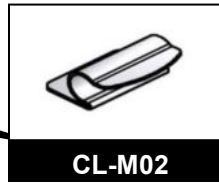
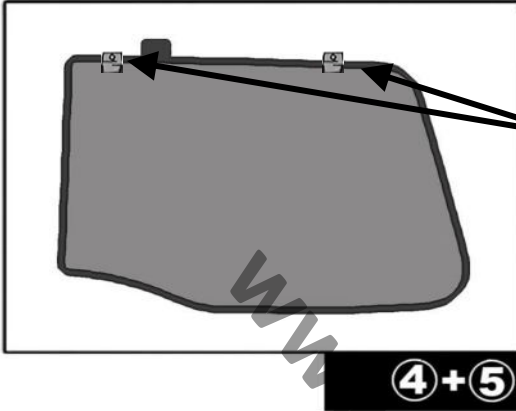
SIDE SHADE INSTALLATION



QUARTER LIGHT SHADE INSTALLATION



REAR SHADE INSTALLATION



www.sonnenschirm-pkw.de

REAR SHADE INSTALLATION

